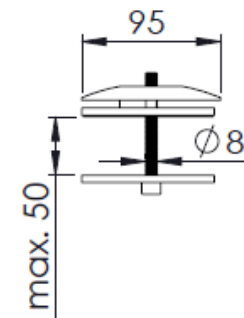
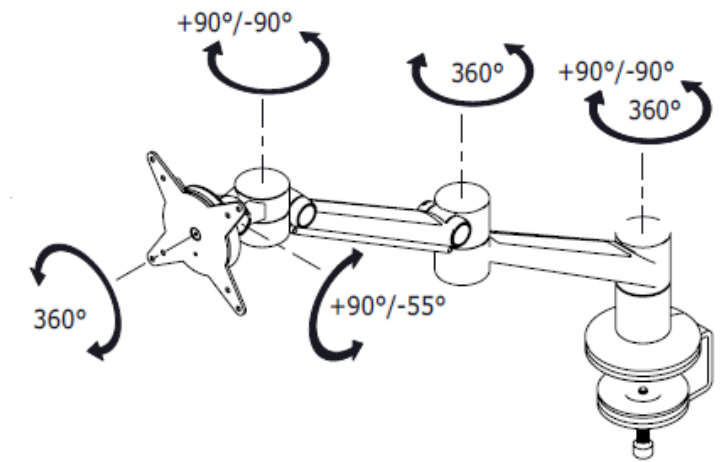


PD58622
PD58623



3,700



375x265x105



240



360°



+90°/-55°



+90°/-90°



7



75/100