

Ultra compact and efficient 2-stage filter in ECO design for 3-phase systems

new



Description

- Good attenuation characteristics
- Cost optimized filter design with excellent price / performance ratio
- Very light due to partial potting

Standards

- UL 1283
- EN 133 200

Approvals

- VDE License Number: 40023521
- UL License Number: pending

Applications

- Voltage rating 480 VAC for world wide acceptance
- Especially designed for industrial applications such as: Frequency Converters, Stepper Motor Drives, UPS-Systems, Inverters
- Qualified for use in equipment according IEC/EN 60950

References

[General Product Information](#)

Weblinks

[Approvals](#), [RoHS](#), [CHINA-RoHS](#), [e-Store](#), [SCHURTER-Stock-Check](#), [Distributor-Stock-Check](#)

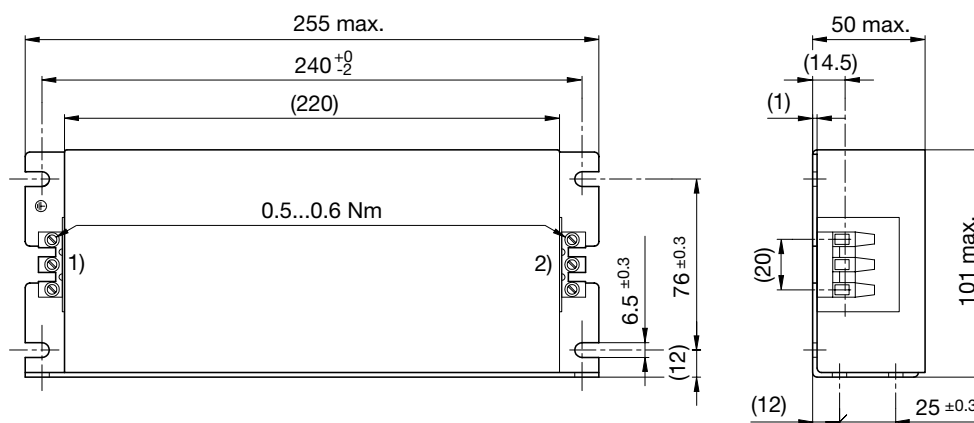
Technical Data

Rated Current	10 - 115A @ Ta 40°C
Rated Voltage	480VAC, 50/60 Hz
Approval for	10 - 115A @ Ta 40 °C / 480VAC; 50/60Hz
Leakage Current	industrial < 5 mA (440V / 50Hz)
Dielectric Strength for 480 VAC	> 2.25 kVDC between > 3kVDC between L-PE
Number of Filter Stages	2
Weight	1.1 - 5kg
Material: Housing	Aluminum
Sealing Compound	UL 94V-0

Mounting	Screw-on mounting on chassis, upright or lengthwise
Terminal	Screw terminals
Operating Temperature [°C]	-25°C to 100°C
Climatic Category	25/100/21 acc. to IEC 60068-1
Degree of Protection	IP 20 acc. to IEC 60529
Protection Class	Suitable for appliances with protection class I acc. to IEC 61140
MTBF	> 200'000h acc. to MIL-HB-217 F

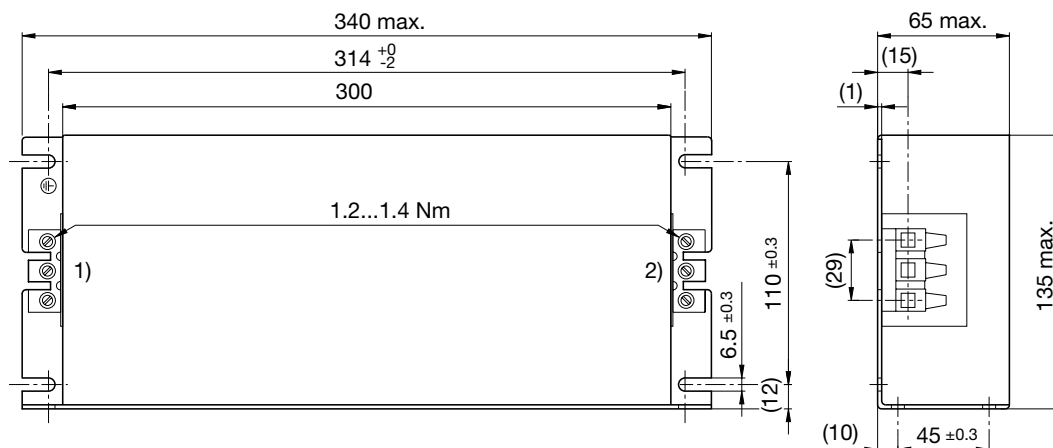
Dimensions

Case 94



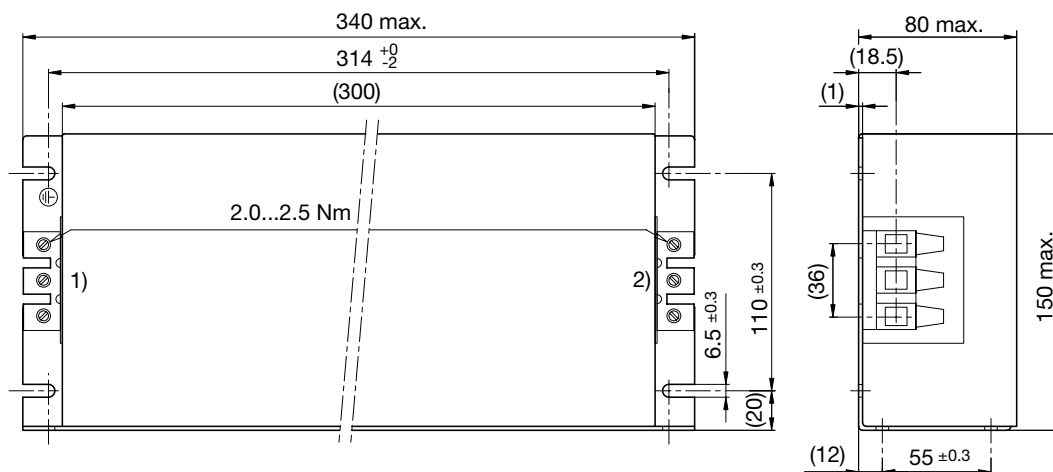
- 1) Line
2) Load

Case 95



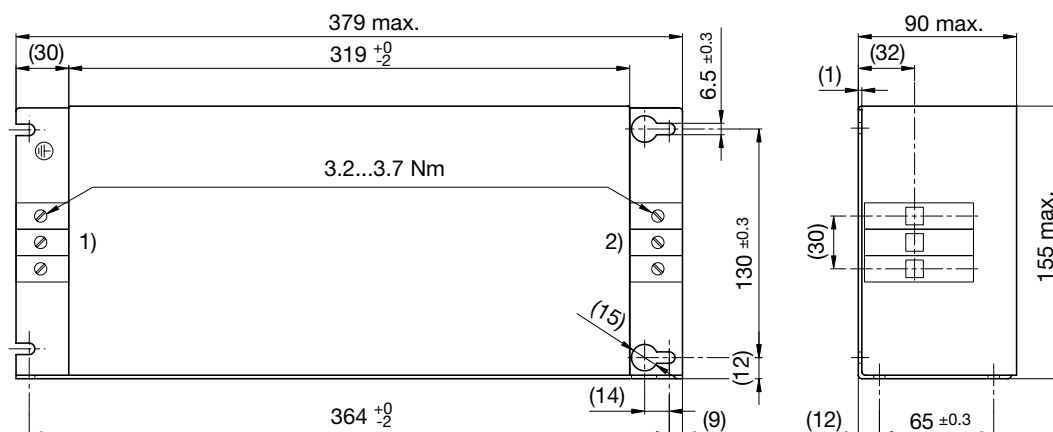
- 1) Line
- 2) Load

Case 96



- 1) Line
- 2) Load

Case 97

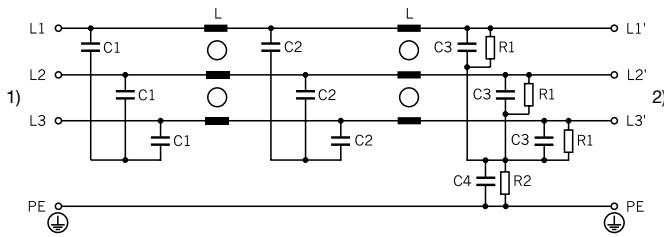


- 1) Line
- 2) Load

Technical data to the filter components

Rated Current [A]	L [mH]	C1 [μF]	C2 [μF]	C3 [μF]	C4 [nF]	R1 [mΩ]
10	2.3	1	1	1	10	1
115	0.24	1	2.2	2.2	100	1
20	1.5	1	1	1	10	1
36	0.9	1	1	2.2	47	1
50	0.45	1	1	2.2	47	1
66	0.45	1	1	2.2	47	1
80	0.32	1	1	2.2	47	1

Diagrams



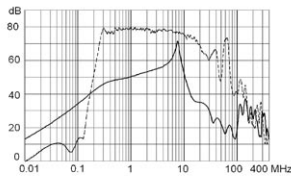
- 1) Line
- 2) Load

Attenuation Loss

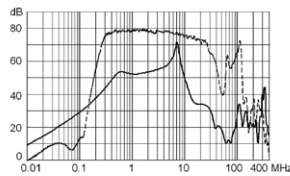
--- differential mode ____ common mode

Industrial Version

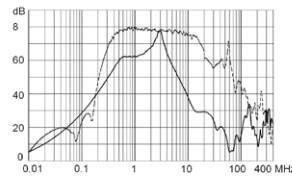
10A (FMBC-0994-1000)



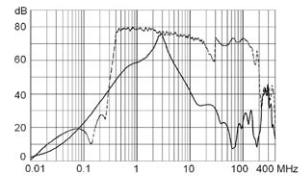
20A (FMBC-0994-2000)



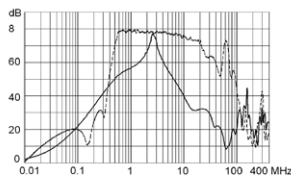
36A (FMBC-0995-3600)



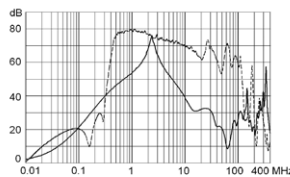
50A (FMBC-0996-5000)



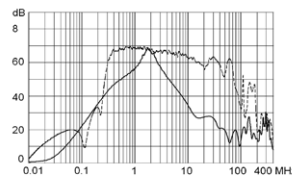
66A (FMBC-0996-6600)



80A (FMBC-0996-8000)



115A (FMBC-0997-H115)



Variants

[Distributor-Stock-Check](#) | [SCHURTER-Stock-Check](#) | [e-Store](#)

Rated Current [A]	Characteristic	P _{loss} [W]	Contact Resistance [mΩ]	Leakage Current	Weight [kg]	Screw clamps [mm ²] ²⁾	Case	Order Number
10	High attenuation	4	37	5	1.1	10	94	FMBC-0994-1000
115	High attenuation	36	2.5	15.0	5	35	97	FMBC-0997-H115
20	High attenuation	9	20	5	1.6	10	94	FMBC-0994-2000
36	High attenuation	5	3.5	7.5	2.2	16	95	FMBC-0995-3600
50	High attenuation	20	7.5	7.5	2.7	16	95	FMBC-0995-5000
66	High attenuation	22	4.5	7.5	3.4	25	96	FMBC-0996-6600
80	High attenuation	24	3.5	7.5	3.4	25	96	FMBC-0996-8000

2) Maximum conductor cross section (wire gauge) to be used; a comparative table for AWG and mm² values can be found in the general product information

1) Worst case leakage current acc. to IEC60950 - Annex G4 (situation with two interrupted lines). Nominal leakage current acc. to IEC60950 - 5.2.5. can be found in section technical data.

Packaging unit 1 Pcs