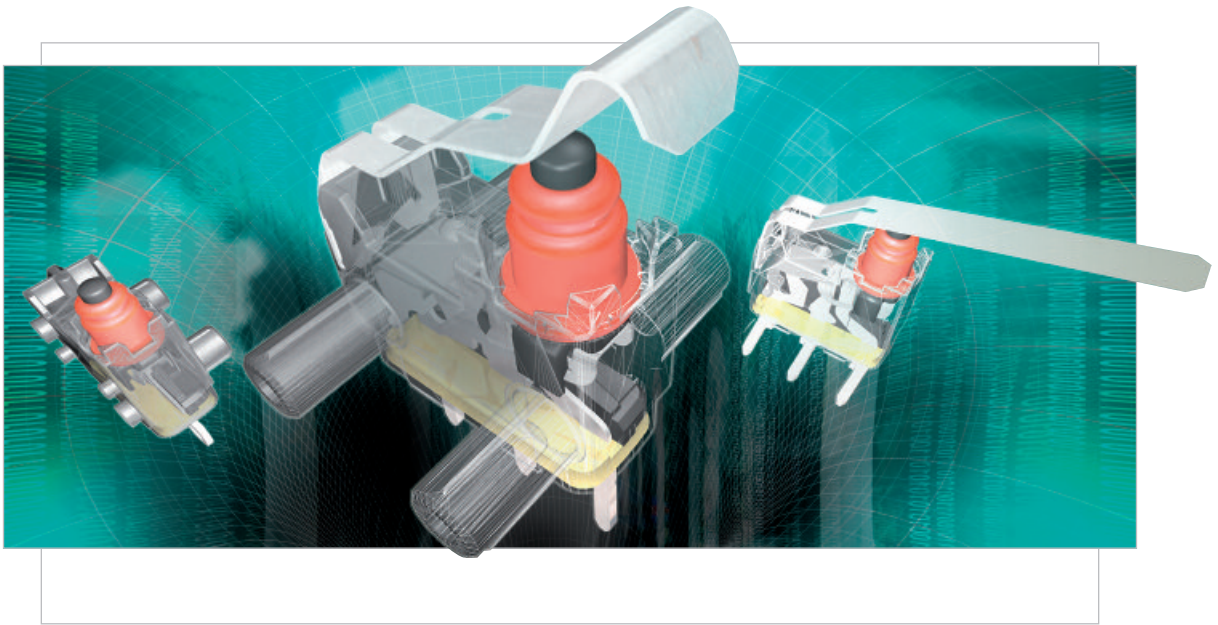

SWITCH 1065:

THE NEW ONE FOR CONTROL CURRENTS



SIMPLY PERFECT FOR CONTROL CURRENTS



The new switch 1065 from Marquardt: head of the field innovation in the control current range for a large number of possible applications – with minimum installation space.

The extremely small switch 1065 offers an impressive number of advantages:

- ♦ redundant contact system
- ♦ decoupled switching system
- ♦ extremely small design
- ♦ low contact resistance
- ♦ low actuating force
- ♦ 40° actuation even without external lever
- ♦ long life
- ♦ type of protection IP 67

With these advantages the switch 1065 is particularly suitable for applications based on control currents in many different fields such as:

AUTOMOTIVE SWITCHES AND AUTOMOTIVE SYSTEMS

- ♦ drive authorization systems
- ♦ locking systems
- ♦ convertible roof applications
- ♦ seat applications
- ♦ heating and air-conditioning controls
- ♦ cockpit

HOUSEHOLD TECHNOLOGY, WHITE WARE

- ♦ heating controls
- ♦ large household appliances
- ♦ vacuum cleaners etc.



CLEAR ADVANTAGES IN DETAIL



The advantages of the new switch 1065 are not only in its small size and the general design but above all in the detail.

In their total, they ensure long-term switching precision and great freedom for you in designing your application:

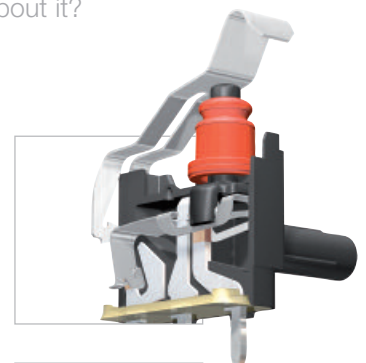
- ♦ redundant contact system for high switching reliability by double contacting
- ♦ decoupled switching system (no fixed connection between the actuator and the contact spring)
- ♦ self-cleaning contact system by wiper contacting
- ♦ noiseless switching system according to IP 67 type of protection

- ♦ low actuation force ≤ 1 N
- ♦ large overtravel up to 2.6 mm

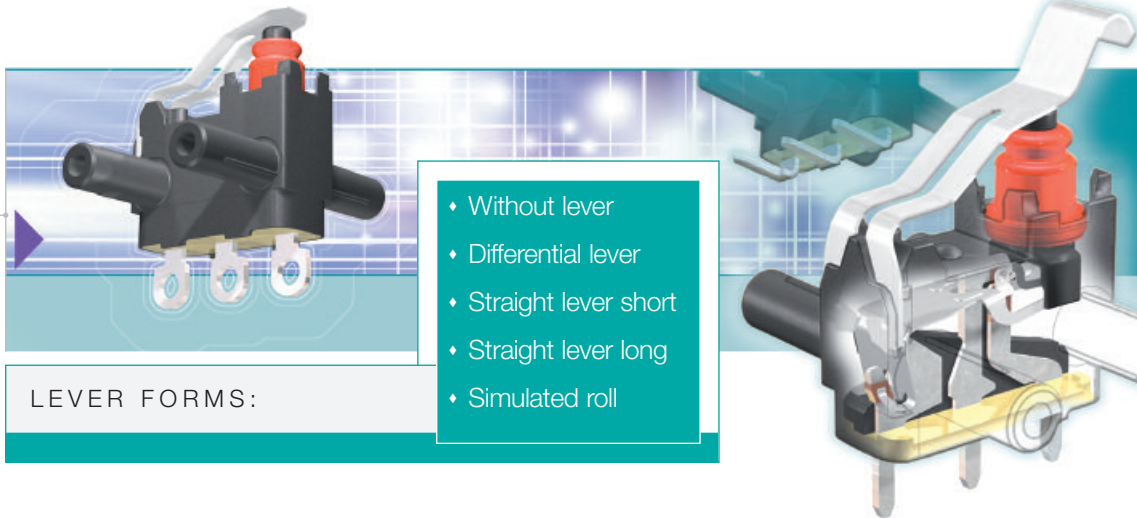
- ♦ approach angle up to 40° possible (material of the friction partners, actuating speed and angle of approach change the actuation forces)
- ♦ compact design
- ♦ RoHS-compliant

Thanks to highly automatic production on fully automated machines with integrated quality monitoring, the switch 1065 is the perfect product for your application too.

When shall we talk to you about it?



MODULARITY FOR UNIVERSAL APPLICATION



LEVER FORMS:

- ◆ Without lever
- ◆ Differential lever
- ◆ Straight lever short
- ◆ Straight lever long
- ◆ Simulated roll

FASTENING PINS:

- ◆ Without pin
- ◆ 2 pins both side
- ◆ 2 pins one side
- ◆ 1 pin both side
- ◆ 1 pin one side
- ◆ Fastening pin

Choose different lengths of fastening pins additionally:
without ◆ 0.8 ◆ 1.5 ◆ 2.5 ◆ 5 ◆ 7 mm

CONNECTION FORMS:

- ◆ Solder connection
- ◆ PCB angled to left
- ◆ PCB angled to right
- ◆ PCB vertical
- ◆ Connecting wires

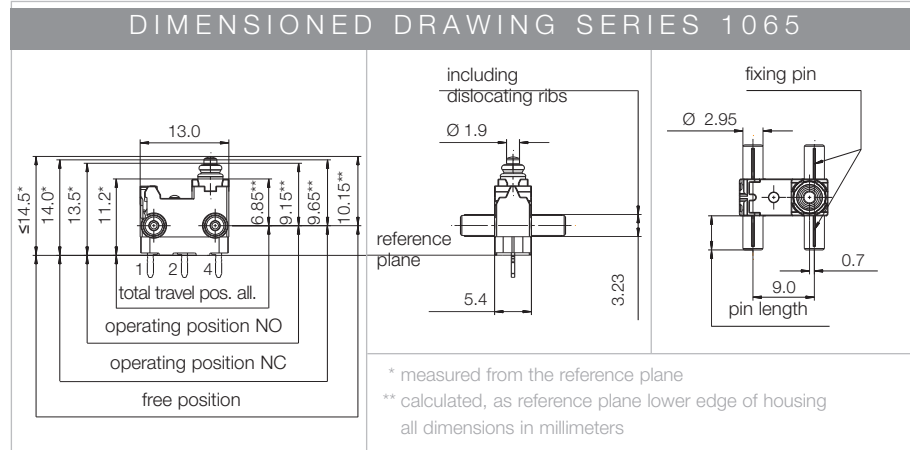
The switch 1065 offers a variety of possible combinations of connection types, lever forms and fastening variants.

Choose some variants by turning the disc!

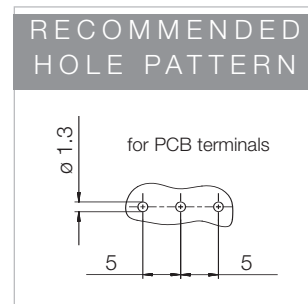
Still not enough combination possibilities of the 1065 for you? We'll be glad to make one to suit your customer-specific requirements.



TECHNICAL DATA



SINGLE POLE CHANGE OVER	
2 4	actuating force $\leq 1\text{N}$
1	release force $\geq 0,5\text{N}$
	contacts gold plated
	protection type EN 60529 IP 67



switching voltage	5 V ... 30 V
switching current	1 mA ... 100 mA
power	3 W
actuating force	$\leq 1\text{ N}$
mechanical life endurance	≥ 500.000
electrical life endurance	16 V DC / 10 mA ≥ 500.000
	30 V DC / 100 mA ≥ 200.000
contact resistance	500 m Ω dynamic/150 m Ω static (new state)
isolation resistance	1.000 M Ω
protection type	IP 67 (switching system)
ambient temperature	-40 °C ... +85 °C
storage temperature	-40 °C ... +120 °C
material socket/housing	PA/PBTP
material actuator/lever	POM/Chrome-Nickel-Steel
contacts	AuCo/AuCo

We reserve the right to alter switches in accordance with technical improvements. Dimensions are not binding. Detailed specifications available on request.

THE MARQUARDT GROUP

GERMANY

Marquardt GmbH
Schloss-Str. 16
78604 Rietheim-Weilheim
Phone ++49 (74 24) 99-0
Fax ++49 (74 24) 99-23 99
www.marquardt.de
marquardt@marquardt.de

Marquardt GmbH
Plant Böttingen
Spaichinger Weg 1
78583 Böttingen
Phone ++49 (74 29) 94 03-0
Fax ++49 (74 24) 94 03-260
www.marquardt.de
marquardt@marquardt.de

Hans Koch GmbH & Co. KG,
Trossingen

SWITZERLAND

Marquardt Verwaltungs-GmbH
Zweigniederlassung Schaffhausen
Ernst Müller-Str.7
Postfach 952
CH-8201 Schaffhausen
Phone ++41 (52) - 644 30 00
Fax ++41 (52) - 644 30 60
www.marquardt.ch
marquardt@marquardt.ch

FRANCE

Marquardt France S.A.R.L.
520, avenue Blaise Pascal - Lot n° 5
77557 Moissy Cramayel Cedex
Phone ++33 (1) 64 13 60 70
Fax ++33 (1) 64 13 60 71
info@marquardt.fr

ROMANIA

Marquardt Schaltsysteme S.C.S.
Industriegebiet West
550159 Sibiu
Phone +40 (269) 50 17 00
Fax +40 (269) 50 17 06
marquardt@marquardt-ro.com

USA

Marquardt Switches Inc.
2711 Route 20 East
Cazenovia, NY 13035-0465
Phone ++1 (3 15) 6 55 80 50
Fax ++1 (3 15) 6 55 80 42
www.switches.com
info@marqswitch.com

Marquardt Switches Inc.
Automotive Products Group
1224 Centre Road
Auburn Hills, MI 48326
Phone ++1 (2 48) 3 77 31 01
Fax ++1 (2 48) 3 77 31 09
www.switches.com
info@marqswitch.com

TUNISIA

S.A.E.E.
104 Avenue de l'U.M.A.
2036 La Soukra, Tunis
Phone ++216 (71) 865 265
Fax ++216 (71) 865 420
saee.marquardt@marquardt-tn.com

CHINA

Marquardt Switches (Shanghai) Co., Ltd.
No. 650 Qingda Road
Hejing Industrial Zone
Shanghai (Pudong) 20 12 01
Phone ++86 (21) 58 97 33 02
Fax ++86 (21) 58 97 23 99
www.marquardt.com.cn
mcsch@marquardt.com.cn

INDIA

RGK Controls & Components Pte. Ltd.
21, Govt. Industrial Estate
Kandivali (West) - Mumbai 400 067
Phone ++91 (22) 8 68 45 19
Fax ++91 (22) 8 68 85 10
www.rgkswitches.com
sales@rgkswitches.com

PRODUCT RANGE

SWITCHES AND SWITCHING SYSTEMS FOR AUTOMOBILES

Rocker, toggle and push button switches, bus-capable switches, multifunctional switches, control panels, control devices, electronic keys, electronic ignition starter switches, Keyless-systems, electronic steering locks, gear selection switches

POWER TOOL SWITCHES

Mechanical and electronic switches and switching systems for DC and AC electrical power tools

APPLIANCE SWITCHES

Rocker switches, toggle switches, slide switches, push button switches, rotary multistep switches, foot switches and pilot lights

SNAP ACTION SWITCHES

Open, enclosed and bistable snap action switches, open leaf switches, snap action switches with dust and splash water protection

SENSORS AND SYSTEM SOLUTIONS

Flow sensors, turbidity sensors, displacement sensors, pressure sensors, automatic control systems
