

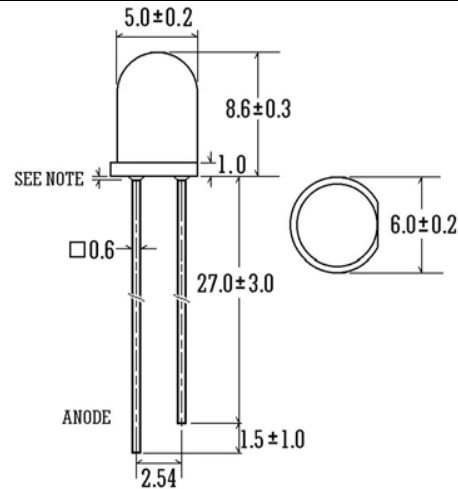


Part Number: LEYC333W20BA12

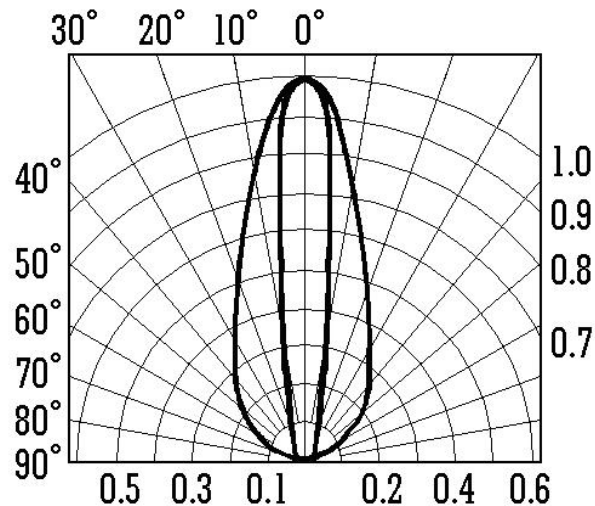
ULTRA YELLOW

333 T1 3/4(5mm) SERIES ROUND LED LAMPS

### Package Dimension



### Radiation Diagram



Viewing Angle -  $2\Phi \frac{1}{2} : 20^\circ \pm 10^\circ$

### Features:

- ✓ Standard T1 3/4 5mm LED
- ✓ Low Power Consumption
- ✓ Longer Life Time
- ✓ I.C. Compatible

### Absolute Maximum Ratings (Ta=25°C)

Item	Symbol	Maximum	Unit
DC forward current	$I_F$	30	mA
Peak forward current Pulse width Max. 10ms duty ratio Max 1/10	$I_{FP}$	100	mA
Reverse Voltage	$V_R$	5	V
Power dissipation	$P_D$	100	mW
Operating Temperature	$T_{OPR}$	-40 ~ +85	°C
Storage Temperature	$T_{STG}$	-40 ~ +100	°C
Soldering Temperature	$T_{SDR}$	260°C for 5sec	°C

### Electrical: Optical Characteristics (Ta=25°C)

Item	Symbol	Condition	Min	Typ	Max	Unit
DC forward voltage	$V_F$	$I_F = 20\text{mA}$	1.8	2.0	2.4	V
DC reverse current	$I_R$	$V_R = 5\text{V}$	-	-	100	μA
Intensity luminous	$I_v$	$I_F = 20\text{mA}$	10000	-	12000	mcd
Wavelength	$\lambda_p$	$I_F = 20\text{mA}$	587	-	595	nm

### Notes:

- All dimensions are in millimeters.
- Clean only in isopropanol, ethanol, Freon TF (or equivalent).
- If forming is required, it must be done before soldering. Form pin leads by securing under 5mm from body and bedding with radio pliers or the equivalent to avoid pressure on resin. When the LED is mounted into a P.C. board, pitch spacing should be aligned to prevent any stress to the resin. Any unsuitable stress applied to resin may break bonding wire in LED, which will cause failure.
- Protruded resin under flange is 1.5mm Max.
- Specifications are subject to change without notice.

Version: **V1.0**