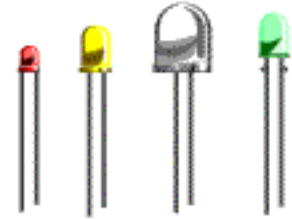




OSHINO LAMPS
Lighted Products since 1931

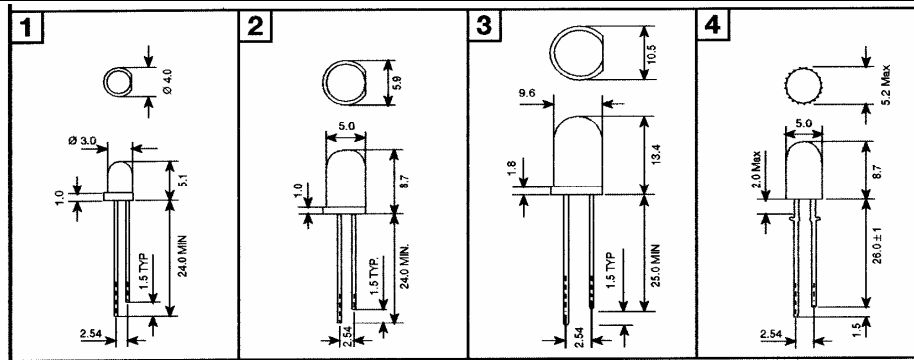
Your Partner for Lighted Products



3 mm								
Part No.	chromaticity coordinates	Iv [mcd]		radiation angle 2 φ ½	chip construction	forward volt. typ. [V]	case color	outline
		min	typ.					
ESW 30030	x 0.30 / y 0.30	1600	2800	25	GaN	3.5	waterclear	fig. 1
ESW 30450	x 0.30 / y 0.30	350	600	60	GaN	3.5	white, diffused	fig. 1
SUW 30030	x 0.30 / y 0.30	2400	4000	30	GaN	3.5	waterclear	fig. 1

5 mm								
Part No.	chromaticity coordinates	Iv [mcd]		radiation angle 2 φ ½	chip construction	forward volt. typ. [V]	case color	outline
		min	typ.					
SUW 50010+	x 0.30 / y 0.30	9000	17000	15	GaN	3.5	waterclear	fig. 2
SUW 50020	x 0.30 / y 0.30	4000	5500	15	GaN	3.5	waterclear	fig. 2
SUW 50040	x 0.30 / y 0.30	3000	5000	40	GaN	3.5	waterclear	fig. 2
ESW 50430	x 0.30 / y 0.30	550	1000	60	GaN	3.5	white, diffused	fig. 2

10 mm								
Part No.	chromaticity coordinates	Iv [mcd]		radiation angle 2 φ ½	chip construction	forward volt. typ. [V]	case color	outline
		min	typ.					
SUW 11010	x 0.31 / y 0.31	7000	9000	7	GaN	3.6	waterclear	fig. 3



Note: 1. All dimension are in millimeter, tolerance is ±0.25mm unless otherwise noted.
2. Specifications are subject to change without notice.

OSHINO LAMPS GmbH

Tennenloher Str. 19, 90425 Nürnberg, Tel.: 0911/9 34 78-0, Fax: -90

www.oshino-lamps.de

© OSHINO LAMPS GmbH

Ref.: LED 700 /15

**Discrete LED serie 3 - 5 -10 mm
WHITE**

Änderung: I

Datum: 21.04.04

Name: hw

Gez.: HW

Gepr.: KH

Datum: 19. Jul 00