

HFV12

AUTOMOTIVE RELAY



Typical Applications

Battery disconnection in order to prevent fire caused by short circuits during an accident, Energy-management

Features

- Battery Disconnect Relay(Energy-management)
- 2 coils latching automotive relay
- Continuous current of 190 A at 85°C
- Coil terminal: 4-pin connector(AMP 0.070 series)
Load terminal: M8 bolt
- Weight: 210g

CHARACTERISTICS

Contact arrangement	1A	Noise level	Typ.: 86dB
Voltage drop (initial)	Typ.: 50mV (at 100A) Max.: 250mV (at 100A)	Protection class	IP54
Max. continuous current ¹⁾⁵⁾	NO: 190A	Ambient temperature	-40°C to 120°C
Max. switching current ²⁾⁵⁾	180A	Vibration resistance ⁴⁾⁵⁾	22HZ to 500Hz 98m/s ²
Max. switching voltage	16VDC	Shock resistance ⁴⁾⁵⁾	392m/s ²
Non operate voltage	2V (at 23°C)	Termination	QC, Screw
Limited current	1500A (0.2s,at 70°C) 1000A (1s, at 70°C)	Construction	Plastic sealed
Electrical endurance	See "CONTACT DATA"	Unit weight	Approx.210g
Mechanical endurance	2 x 10 ⁶ OPS (30OPS/min)		
Initial insulation resistance	100MΩ (at 500VDC)		
Dielectric strength ³⁾	500VAC (1min, leakage current less than1mA)		
Operate time ⁵⁾	Typ.: 5ms (at nomi. vol.) Max.: 20ms (at nomi. vol.)		
Release time ⁵⁾	Typ.: 5ms (at nomi. vol.) Max.: 20ms (at nomi. vol.)		

- 1) To energize an impulse for 50ms to 100ms at coil terminals so that contacts switch.
- 2) At 23°C, 13.5VDC, on & off rate at 1s:5s, resistive load (100 cycles).
- 3) 1min, leakage current less than 1mA.
- 4) When energized, release time of NO contacts shall not exceed 100μs, when non-energized, release time of NCcontacts shall not exceed 100μs, meantime, NO contacts shall not be closed.
- 5) Only for the 12VDC coil voltage type.

CONTACT DATA

Load voltage VDC	Load type	Load current A	On/Off ratio		Electrical endurance OPS	Contact material	Ambient temp.
			On s	Off s			
14	Inductive 0.1mH	100	1	5	5 × 10 ⁴	AgSnO ₂	See Ambient temp. curve
	Inductive 0.1mH	180	1	5	1.5 × 10 ⁴		

COIL DATA

at 23°C

Nominal Voltage VDC	Ambient temperature	Pick-up Voltage VDC	Drop-out voltage VDC ¹⁾	Set Coil resistance (between pin2 & pin4) x(1±10%)Ω	Reset Coil resistance (between pin1 & pin3) x(1±10%)Ω	Max. Allowable Voltage VDC
12VDC	-40°C	≤4.3	≤7.0	---	---	---
	23°C	≤6.0	≤7.0	5	5	28
	85°C	≤9.0	≤7.0	---	---	16
	120°C	≤10.5	≤7.0	---	---	---

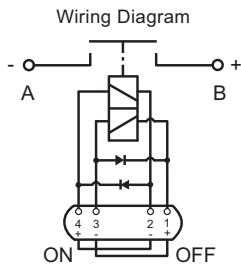


HONGFA RELAY

ISO9001、ISO/TS16949、ISO14001、OHSAS18001、IECQ QC 080000 CERTIFIED

2010 Rev. 1.00

1) The impulse width should be 50ms to 100 ms. Energizing voltage mode should be acted as per the diagram below:



Coil terminal	Function
4	Set Coil (+)
3	Reset Coil (-)
2	Set Coil (-)
1	Reset Coil (+)
A	Load terminal
B	Load terminal

2) Max. allowable overdrive voltage is stated with no load applied and minimum coil resistance. Max. allowed infiction time is 1s.

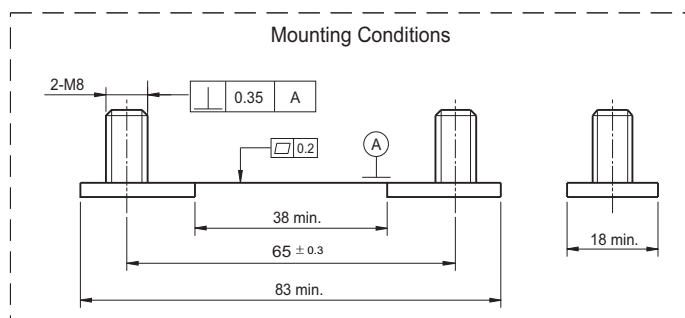
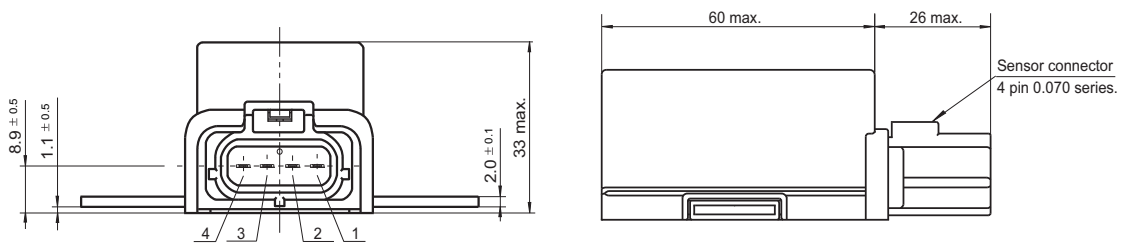
ORDERING INFORMATION

Type	HFV12 /	12	-H	D	(XXX)
Coil voltage	012: 12VDC				
Contact arrangement	1H: 1 Form A				
Instantaneous suppression	D: Diode paralleled to coil				
Customer special code					

OUTLINE DIMENSIONS, WIRING DIAGRAM AND PC BOARD LAYOUT

Unit: mm

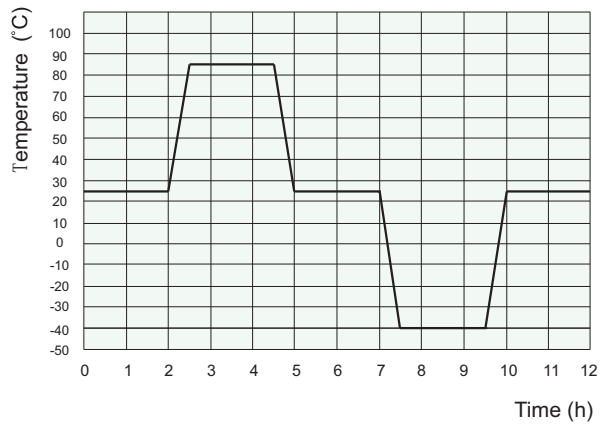
Outline Dimensions



CHARACTERISTIC CURVES

Ambient temperature curve of the electrical endurance test

Ambient temp. curve (one cycle)



- 1) The minimum temperature is -40°C.
- 2) The maximum temperature is 85°C.

Disclaimer

This datasheet is for the customers' reference. All the specifications are subject to change without notice.

We could not evaluate all the performance and all the parameters for every possible application. Thus the user should be in a right position to choose the suitable product for their own application. If there is any query, please contact Hongfa for the technical service. However, it is the user's responsibility to determine which product should be used only.