

**Description**

The Cooper PowerStor® Aerogel Capacitor is a unique, ultra-high capacitance device based on a novel type of carbon form, known as carbon aerogel. Aerogel capacitors are similar to Supercapacitors, ultracapacitors and electrochemical double layer capacitor (EDLCs) with the added benefit of low ESR (Equivalent Series Resistance)



**Features & Benefits**

- Eco-friendly
- Compatible with lead free reflow solder (240° Peak)
- Long cycle life
- High-rated voltage
- Small-sized and Large capacity

**Applications**

- RTC back-up (MP3, PMP, MD player, DSC, Wireless phone, Pagers, PDA, Cellular phone, etc.)
- Solar watch, Solar calculators

**SPECIFICATIONS**

<b>Working Voltage</b>	3.3 volts
<b>Surge Voltage</b>	3.3 volts
<b>Nominal Capacitance Range</b>	0.20 F
<b>Capacitance Tolerance</b>	-20% to +80% (20°C)
<b>Operating Temperature Range</b>	-10°C to 60°C

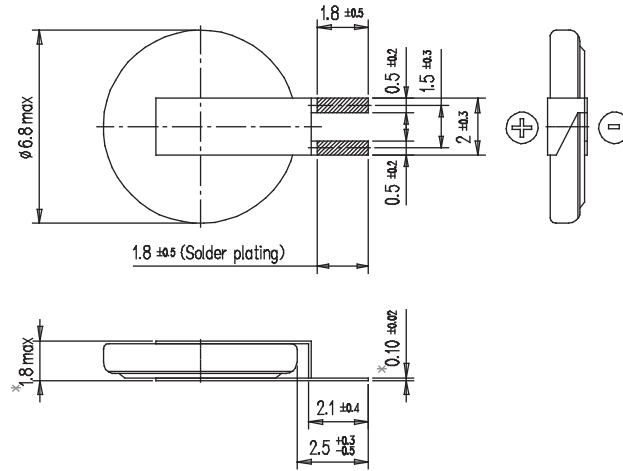
**STANDARD PRODUCTS**

Nominal Capacitance (F)	Part Number	Nominal ESR (Equivalent Series Resistance) Measured @ 1kHz (Ω)	Nominal Dimensions	Typical Mass (grams/1 piece)
0.2	KSR-3R3204-R	200	Ø=6.8mm; L=1.4mm	0.19

**PERFORMANCE**

Parameter	Capacitance Change (% of initial measured value)	Maximum ESR Measured @ 1kHz (Ω)
Life (1000 hrs @ 70°C @ 3.3 volts DC)	≤ 30	4,000
Storage - Low and High Temperature (1000 hrs @ -25°C and 70°C)	≤ 30	4,000

DIMENSIONS (mm)		
Part Number	Ø D	L
KSR-3R3204-R	6.8	1.4



PART NUMBERING SYSTEM									
<b>K</b>	<b>SR</b>	-	<b>3</b>	<b>R</b>	<b>3</b>	<b>20</b>	<b>4</b>	-	<b>R</b>
Series Code	Version		Voltage (V) R is decimal		Capacitance ( $\mu\text{F}$ )				RoHS Compliant
K = Coin Cell	SR = SMT, Reflowable		3R3 = 3.3V		Value	Multiplier	Example: 204 = $20 \times 10^4 \mu\text{F}$ or 0.2 F		

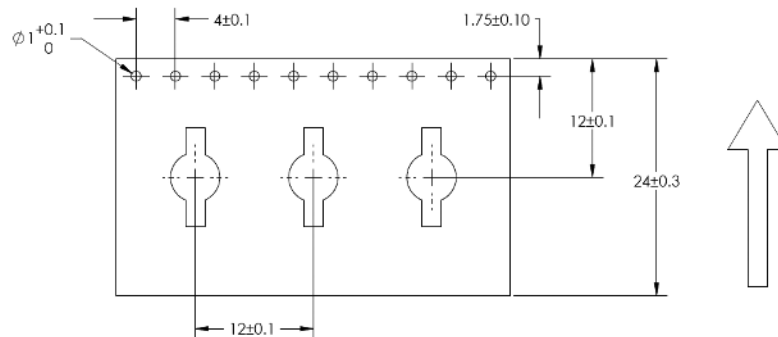
**PACKAGING INFORMATION**

Standard packaging: Tape & Reel, 2,500 pcs per reel

**PART MARKING**

Manufacturer  
Product Series & Size

**TAPE DIMENSIONS**



**Visit us on the Web at [www.cooperbussmann.com](http://www.cooperbussmann.com)****1225 Broken Sound Pkwy. Suite F Boca Raton, FL 33487  
Tel: +1-561-998-4100 Toll Free: +1-888-414-2645 Fax: +1-561-241-6640**

This bulletin is intended to present product design solutions and technical information that will help the end user with design applications. Cooper Electronic Technologies reserves the right, without notice, to change design or construction of any products and to discontinue or limit distribution of any products. Cooper Electronic Technologies also reserves the right to change or update, without notice, any technical information contained in this bulletin. Once a product has been selected, it should be tested by the user in all possible applications.

Life Support Policy: Cooper Electronic Technologies does not authorize the use of any of its products for use in life support devices or systems without the express written approval of an officer of the Company. Life support systems are devices which support or sustain life, and whose failure to perform, when properly used in accordance with instructions for use provided in the labeling, can be reasonably expected to result in significant injury to the user.