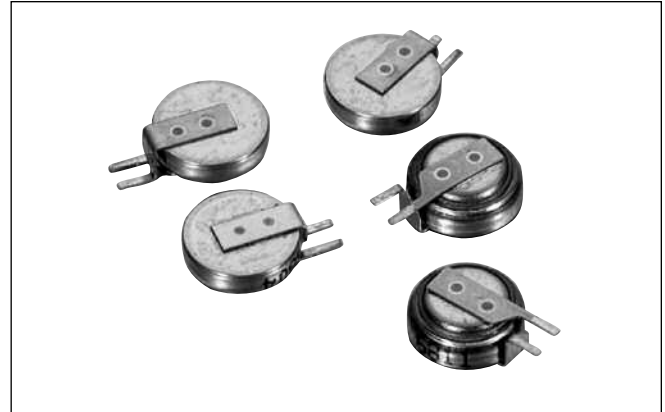


Description

The Cooper PowerStor® Aerogel Capacitor is a unique, ultra-high capacitance device based on a novel type of carbon form, known as carbon aerogel. Aerogel capacitors are similar to Supercapacitors, ultracapacitors and electrochemical double layer capacitor (EDLCs) with the added benefit of low ESR (Equivalent Series Resistance)



Features & Benefits

- Eco-friendly
- Long cycle life
- High-rated voltage
- Small-sized and Large capacity

Applications

- RTC back-up (MP3, PMP, MD player, DSC, Wireless phone, Pagers, PDA, Cellular phone, etc.)
- Solar watch, Solar calculators

SPECIFICATIONS

Working Voltage	2.8 volts	3.3 volts
Surge Voltage	2.8 volts	3.3 volts
Nominal Capacitance Range	0.33 F	0.22 F
Capacitance Tolerance	-20% to +80% (20°C)	-20% to +80% (20°C)
Operating Temperature Range	-25°C to 70°C	-10°C to 60°C

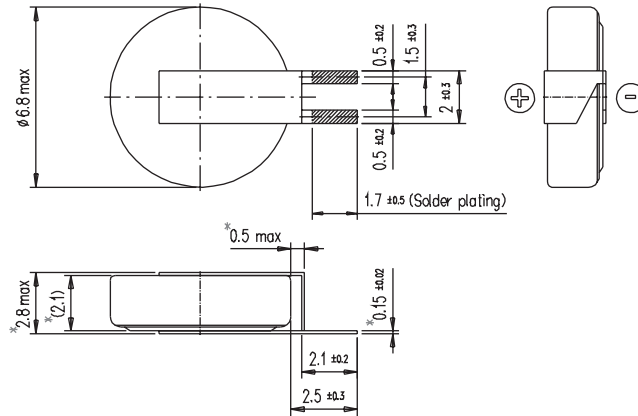
STANDARD PRODUCTS

Nominal Capacitance (F)	Part Number	Nominal ESR (Equivalent Series Resistance) Measured @ 1kHz (Ω)	Nominal Dimensions	Typical Mass (grams/1 piece)
0.33	KS-2R8334-R	100	$\varnothing=6.8\text{mm}$; L=2.1mm	0.25
0.22	KS-3R3224-R	200	$\varnothing=6.8\text{mm}$; L=2.1mm	0.25

PERFORMANCE

Parameter	Capacitance Change (% of initial measured value)	ESR (% of initial measured value)
Life (1000 hrs @ 70°C @ 3.3 volts DC)	≤ 30	≤ 400
Storage - Low and High Temperature (1000 hrs @ -25°C and 70°C)	≤ 30	≤ 400

DIMENSIONS (mm)		
Part Number	Ø D	L
KS-2R8334-R	6.8	2.1
KS-3R3224-R	6.8	2.1



PART NUMBERING SYSTEM									
K	S	-	3	R	3	22	4	-	R
Series Code	Version		Voltage (V) R is decimal		Capacitance (µF)				RoHS Compliant
K = Coin Cell	S = SMT		3R3 = 3.3V		Value	Multiplier			
					Example: 224 = 22 x 10 ⁴ µF or 0.22 F				

PACKAGING INFORMATION

Standard packaging: Bulk, 500 pcs per pack with 100 pcs per tray

PART MARKING

Manufacturer
Product Series & Size