

# Four in one RGB Controller

## LC-0RGB-D4-01



LC-0RGB-D5-04

### Features

Compatible with all common RGB strips and low voltage RGB lamps, built-in 86 modes. Unique touch technology, User-friendly operation and easy to use.

Automatically adapt to LED light which works at DC 12V or DC 24V. Hardware PWM dimmer without any flashes. High-power MOS driver, the whole current of the RGB/W/WW five channels reaches to 20A.

### Technical Parameter

Input Voltage: 12/24 V DC.

Output Channel: five channels of RGB/W/WW.

Output Current: 4A for each channel.

Output Power: 240W(12V input)/480W(24V input).

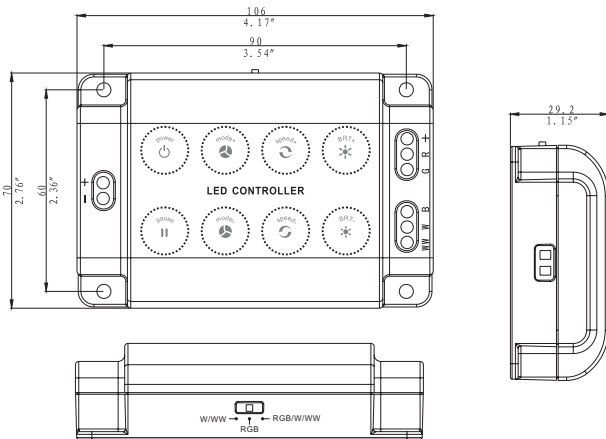
Dimensions 106(L)\*70(W)\*29.2(H)

Max useful distance of the ultrathin RF remote controller: 40M (without any barrier indoor)

### Dimensions (Unit: mm/inch)

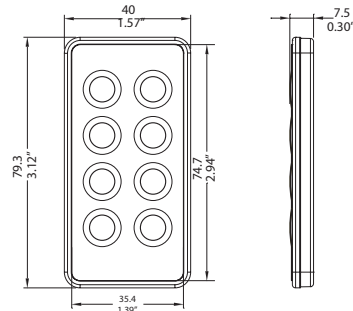
#### LC-0RGB-D4-01

106(L)\*70(W)\*29.2(H) Weight: 100g



#### LC-0RGB-D5-04

79.3(L)\*40(W)\*7.5(H) Weight: 20g



## Function Descriptions

---

- 1)86 color modes
- 2)Adjust color under the static mode
- 3)Jump, fade in and out(with pause function)
- 4)Switch with three gear function: The first one control 5 channels Output (R, G, B, W, WW) for four or five colors LED products. The second one can control 3 channels output (R,G,B),for three colors LED product, and the third one can control 2 channels output (W,WW),for single color LED product or that with two colors.(note: for color LED product would be RGB+W or RGB+WW, five colors LED product would be RGB+W+WW, and three colors LED products would be RGB).

## Color Patterns

---

### RGB+W+WW Mode

- |   |   |
|---|---|
| 1.Static Red                                    | 32.Red fades  |
| 2.Static Green                                  | 33.Green fades  |
| 3.Static Blue                                   | 34.Blue fades   |
| 4. Static Pure White                            | 35.Pure White fades                                   |
| 5.Static Warm White                             | 36.Warm White fades                                   |
| 6.Static Yellow                                 | 37.Yellow fades                                       |
| 7.Static Purple                                 | 38.Purple fades                                       |
| 8.Static Red + Pure White                       | 39.Red + Pure White gradually replace                 |
| 9.Static Red + Warm White                       | 40.Red + Warm White gradually replace                 |
| 10.Static Cyan                                  | 41.Cyan fades   |
| 11.Static Green + Pure White                    | 42.Green + Pure White gradually replace               |
| 12.Static Green + Warm White                    | 43.Green + Warm White gradually replace               |
| 13.Static Blue +Pure White                      | 44.Blue + Pure White gradually replace                |
| 14.Static Blue + Warm White                     | 45.Blue + Warm White gradually replace                |
| 15.Static Pure White + Warm White               | 46.Pure White + Warm White gradually replace          |
| 16.Static Mix White<br>(RGB color mix together) | 47. Mix White fades                                   |
| 17.Static Yellow + Pure White                   | 48.Yellow + Pure White gradually replace              |
| 18.Static Yellow + Warm White                   | 49.Yellow + Warm White gradually replace              |
| 19.Static Purple +Pure White                    | 50.Purple+Pure White gradually replace                |
| 20.Static Purple + Warm White                   | 51.Purple + Warm White gradually replace              |
| 21.Static Red +Pure White + Warm White          | 52.Red + Pure White+Warm White gradually replace      |
| 22.Static Green +Pure White + Warm White        | 53.Green + Pure White + Warm White gradually replace  |
| 23.Static Cyan + Warm White                     | 54.Cyan+Pure White gradually replace                  |
| 24.Static Cyan +Pure White                      | 55.Cyan +Warm White gradually replace                 |
| 25.Static Purple + Pure White + Warm White      | 56.Purple + Pure White + Warm White gradually replace |
| 26.Static Yellow + Pure White + Warm White      | 57.Yellow+Pure White+Warm White gradually replace     |
| 27.Static Mix White + Warm White                | 58.Mix White + Warm White gradually replace           |
| 28. Static Mix White + Pure White               | 59.Mix White + Pure White gradually replace           |
| 29.Static Cyan + Pure White + Warm White        | 60.Cyan+White + Warm White gradually replace          |
| 30.Static Mix White + Pure White + warm White   | 61.White+Pure White+ Warm White gradually replace     |
| 31. All colors jump                             | 62.All colors gradually replace                       |

### RGB Mode

- |                 |                    |                             |
|-----------------|--------------------|-----------------------------|
| 1.Static Red    | 7.Static Mix White |                             |
| 2.Static Green  | 8.RGB Jump         | 13.Purple fades             |
| 3.Static Blue   | 9.Red fades        | 14.Cyan fades               |
| 4.Static Yellow | 10.Green fades     | 15.Mix White fades          |
| 5.Static Purple | 11.Blue fades      | 16.Colors gradually replace |
| 6.Static Cyan   | 12.Yellow fades    |                             |

### W+WW Mode

- |                                  |  |
|----------------------------------|--|
| 1.Static Pure White              | 5. Pure White fade in and out                    |
| 2.Static Warm White              | 6. Warm white fade in and out                    |
| 3.Static Pure White + Warm White | 7.Pure White+Warm White fade in and out together |
| 4.Three colors modes jump        | 8.three color modes gradually replace            |

## Operation Descriptions

### Function of the key board keys

1. power Power on / off
2. pause Freeze the status when fade or jump, invalid under static mode
3. mode+ Mode +
4. mode- Mode -
5. speed+ Speed+, invalid under static mode
6. speed- Speed-, invalid under static mode
7. BRT+ Brightness+, invalid under light fade mode except pause is enabled
8. BRT- Brightness-, invalid under light fade mode except pause is enabled

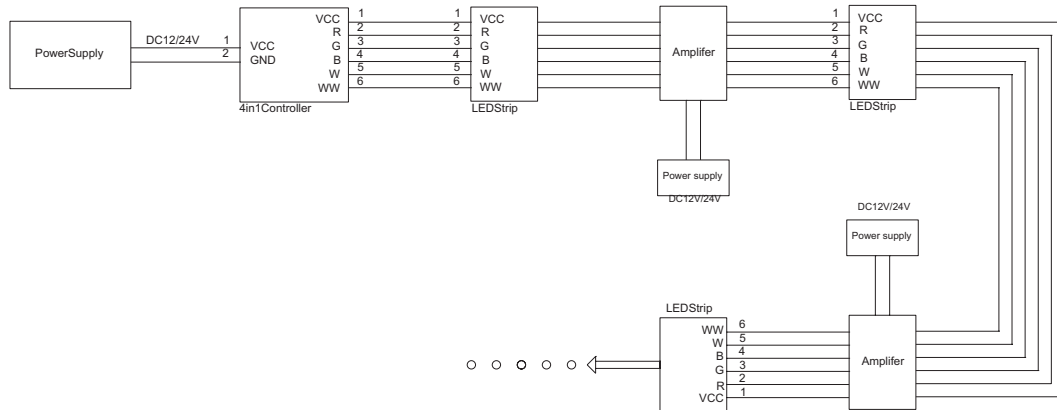
### How to match a controller with a key board with different address code?

1. When the controller is on work, press the power key to turn off the controller, then the LED luminaires' light will go out.
2. Press the pause key, the LED luminaires light
3. Press any keys of the remote controller, the LED luminaires flicker, it means the controller has already matched the key board.

This controller has five channels output, it can control five colors LED strip at most.(for example: RGB+W+WW),users can choose different modes according to the situation.

- 1.RGB+W+WW mode: put the gear switch to the RGB+W+WW mode, connect the RGB+W+WW strips to the related channels according to the instruction of controller's output channel. In this situation, the controller can be used as a normal RGB+W+WW controller. If it is the four color strip such as RGB+W or RGB+WW, the controller can be used with one excess channel.
- 2.RGB mode: put the gear switch to the RGB mode;connect the RGB strips to the related channels according to the instruction of controller's output channel. In this situation, the controller can be used as a normal RGB controller.
- 3.W+WW mode: put the gear switch to the RGB+W+WW mode, connect the W+WW strips to the related channels according to the instruction of controller's output channel. In this situation, the controller can be used as a normal W+WW controller. for single color strip, you just required to connect the strip with one of the five channels.
- 4.Under the RGB+W+WW mode, mode 21 is the R+W+WW one, under this mode you can only adjust the brightness of red color. The brightness proportion of pure white and warm white can be chosen by using the PAUSE key.. 10 different kinds of matching, pressing the brightness adjustment key to adjust the brightness of red color(brightness of pure white and warm white keep invariant), then achieve to adjust the whole CRI
- 5.Under the W+WW mode, mode 3 can adjust the brightness of pure white and warn white alone, under this mode, you can change the brightness of pure white by adjusting the speed key, change the brightness of warm white by adjusting the Bright key, then you can achieve to adjust the whole color temperature

## Linking Operation



## Cautions

1. Do not press the keys overexertion
2. Please make sure the average current of each channel not more than 4A, overload may destroy the controller.
3. This controller has the constant voltage driver, the output voltage is the same as the input, so please choose a suitable DC power supply to avoid destroying your product.
4. You need match the address only when the remote keyboard can not operate the controller
5. If the strips or other RGB LED products can't work when they are connected with controller, please solve the problem as following steps:
  - 1). Please check whether the power supply is working.
  - 2). If the power supply is ok, maybe the controller is under the fade mode and PAUSE function enabled, press the MODE key on the key board several times to change into other modes or disconnect the power supply and connect again.
  - 3). Match the key board again as before.
6. Used in dry environment

## Signcomplex Limited Warranty

Signcomplex warrants this product ("Product") against defects in material or workmanship for a period of three years from the date of purchase. If this Product is determined to be defective, Signcomplex will repair or replace the Product, at its option. This warranty does not cover cosmetic damage or damage due to acts of God, accident, misuse, abuse, negligence, commercial use, or modification of, or to any part of the Product. This warranty does not cover damage due to improper operation or maintenance, connection to improper voltage supply, or attempted repair by anyone than a facility authorized by Signcomplex to service the Product.

Repair or replacement as provided under this warranty is the exclusive remedy of the customer. Signcomplex shall not be liable for any incidental or consequential damages for breach of any express or implied warranty on this Product except to the extent prohibited by applicable law, any implied warranty of merchantability or fitness for a particular purpose on this Product is limited in duration to the duration of this limited warranty.

Some states do not allow the exclusion or limitation of incidental or consequential damages, or allow limitations on how long an implied warranty lasts, so the above limitations or exclusions may not apply to you. This warranty gives you specific legal rights, and you may have other rights which vary from state to state.

Only Signcomplex may change, amend or modify the terms of this Limited Warranty and any such change, amendment or modification shall be in writing and is issued by Signcomplex. To obtain warranty service and shipping information call +86 755 2760 8650 or e-mail [info@signcomplex.com](mailto:info@signcomplex.com). You must provide proof of purchase in the form of a bill of sale or receipted invoice which is evidence that the Product is within the warranty period to obtain warranty service. Consumers have legal rights under applicable national legislation governing the sale of consumer goods. Such rights are not affected by the warranties provision outlined in this document.

