



**EDISON OPTO CORPORATION**

# ***Edixeon Optical Lens Series***

**DATE : 2005/07/08**

**VERSION : 1.3**

**Device No. : 3-RD-01-E0004**



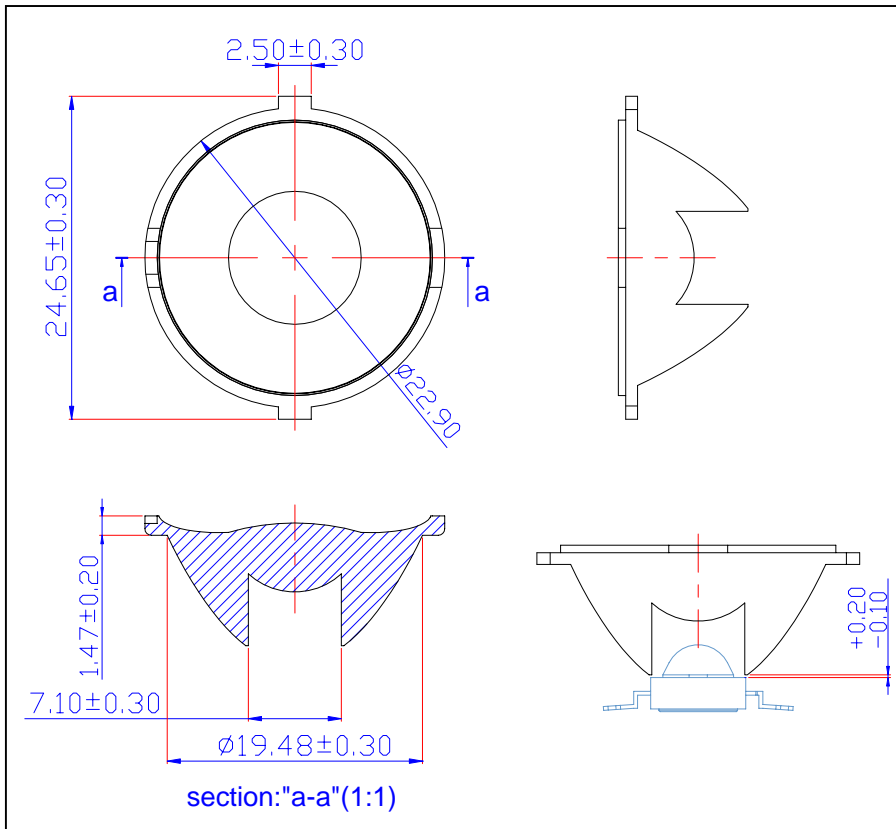
**EDISON OPTO CORPORATION**  
*Office:5F, No. 800, Chung-Cheng Rd,  
Chung-Ho, Taipei 235, Taiwan, R.O.C.*

*Tel: 886-2-8227-6996  
Fax: 886-2-8227-6997  
<http://www.edison-opto.com.tw>*

**Collimator Group :**

Angle	Collimator	Housing Color(with collimator)		
		Black	Clear	White
10°	--	<b>EDOL-AA10-M13</b> 	--	--
15°	<b>EDOL-AA15-L1</b> 	<b>EDOL-AA15-M11</b> 	<b>EDOL-AA15-M14</b> 	<b>EDOL-AA15-M15</b> 
25°	<b>EDOL-AA25-L1</b> 	<b>EDOL-AA25-M12</b> 	<b>EDOL-AA25-M14</b> 	<b>EDOL-AA25-M15</b> 
15°	<b>EDOL-AA15-L1</b> 	<b>EDOL-AB15-M11</b> 	<b>EDOL-AB15-M14</b> 	<b>EDOL-AB15-M15</b> 

## EDOL-AA25-L1 Outlines

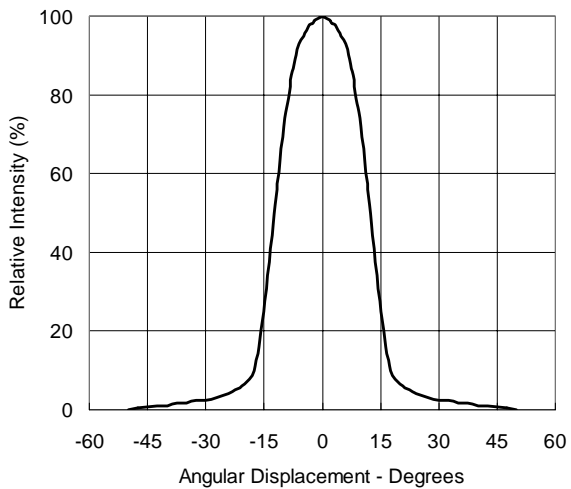


\*1. Unit:mm

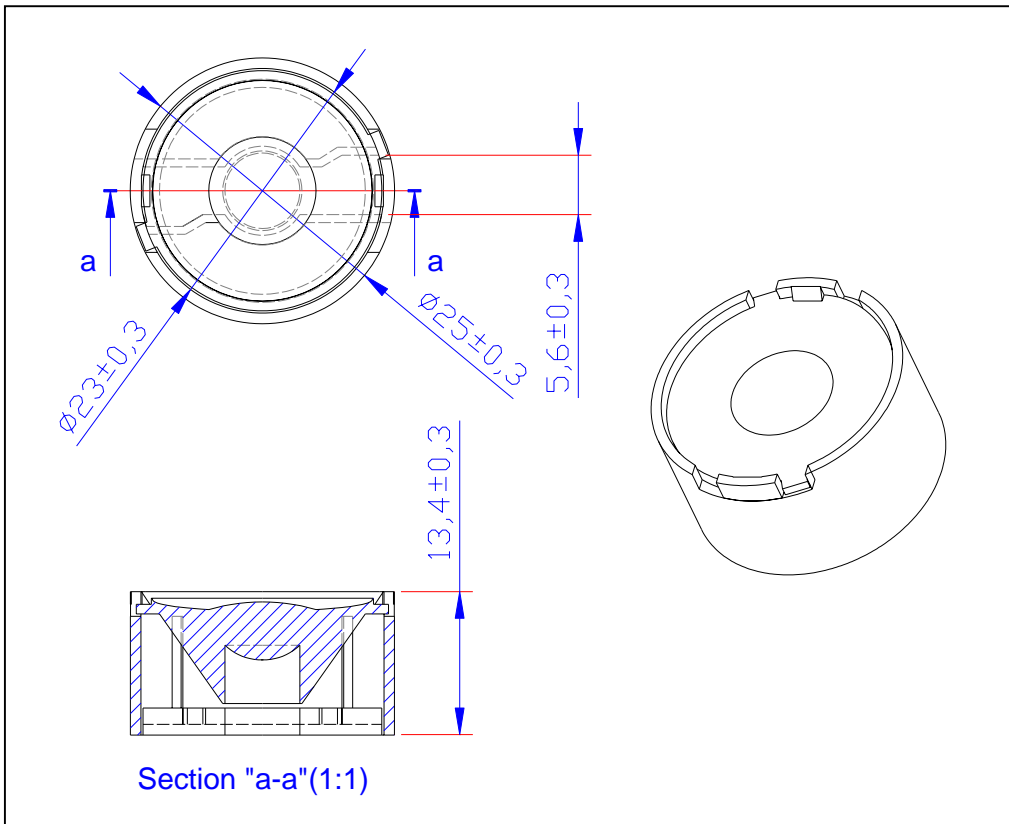
\*2. Material is optical acrylic. Don't subject to temperature greater than 75°C as plastic deformation may occur.

\*3. Work with Edixeon Lambertian or Focusing emitter.

### Typical Radiation Pattern

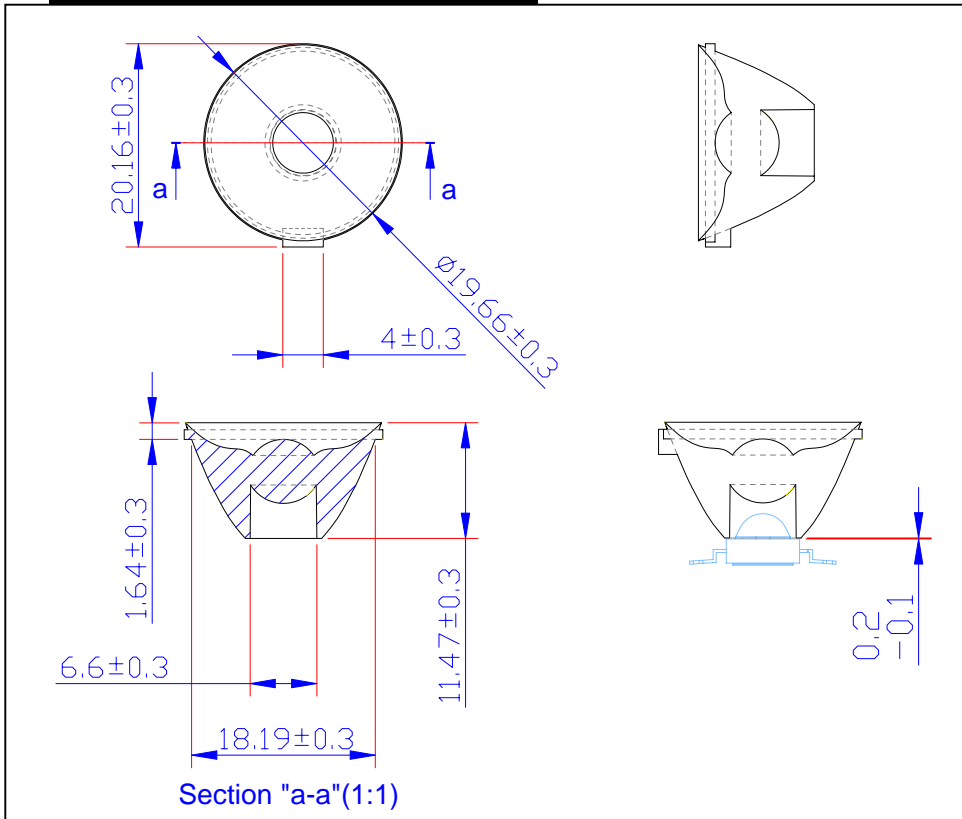


### EDOL-AA25-M1x Outlines



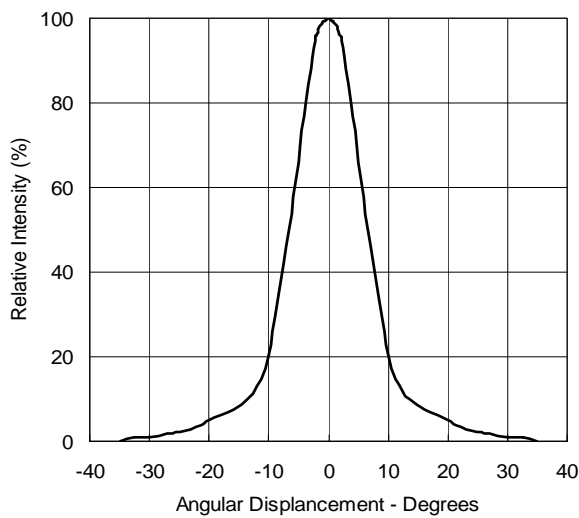
Unit:mm

### EDOL-AA15-L1 Outlines

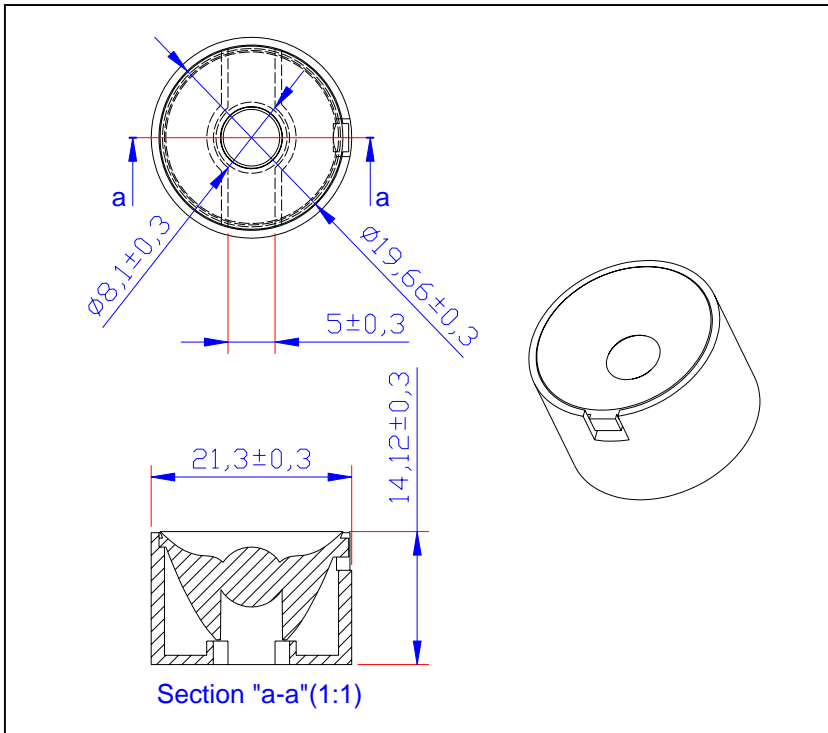


- \*1. Unit:mm
- \*2. Material is optical acrylic. Don't subject to temperature greater than  $75^{\circ}\text{C}$  as plastic deformation may occur.
- \*3. Work with Edixeon Lambertian or Focusing emitter.

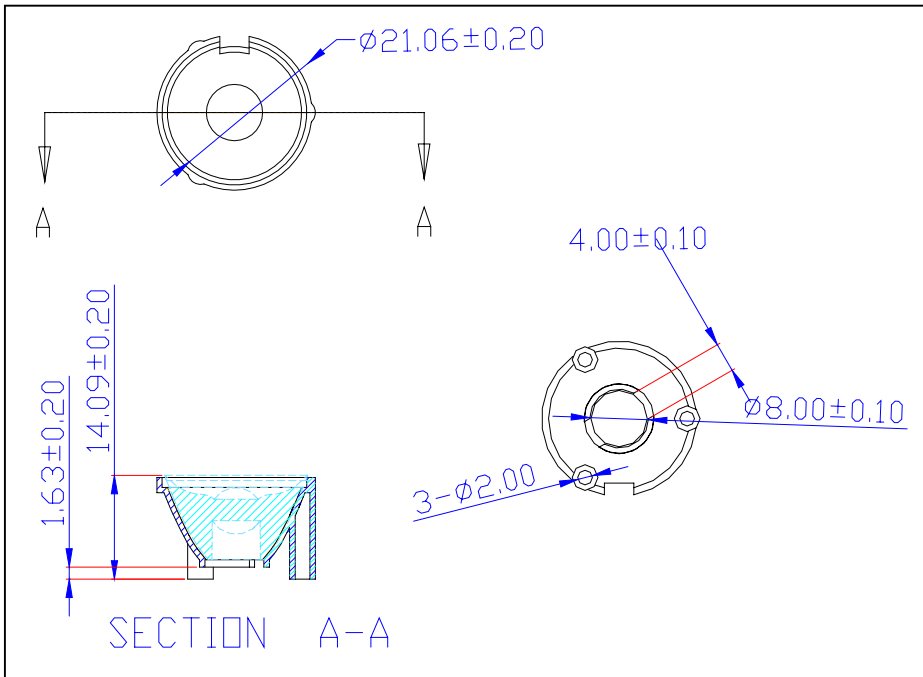
### Typical Radiation Pattern



### EDOL-AA15-M1x Outlines

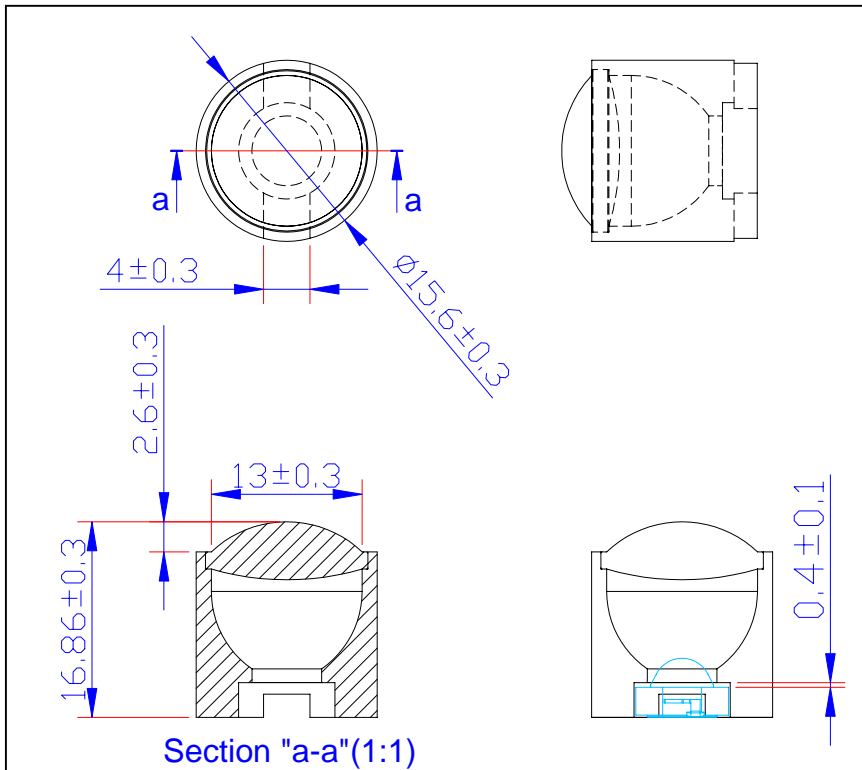


### EDOL-AB15-M1x Outlines



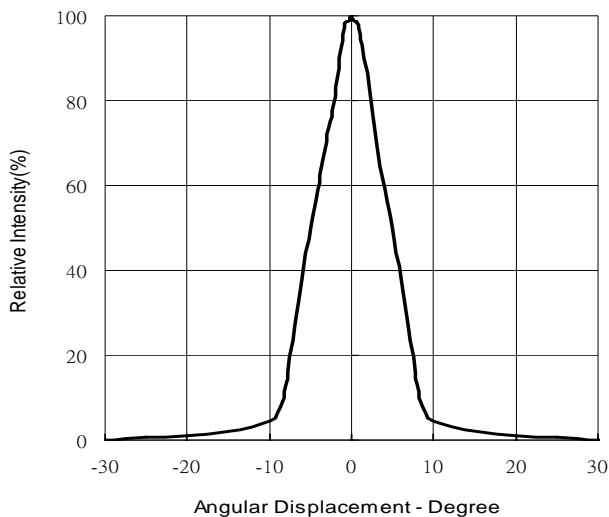
Unit:mm

## EDOL-AA10-M13 Outlines



- \*1. Unit:mm
- \*2. Material is optical acrylic. Don't subject to temperature greater than  $75^{\circ}\text{C}$  as plastic deformation may occur.
- \*3. Work with Edixeon Lambertian or Focusing emitter.

### Typical Radiation Pattern



## Revision History

<b>Version</b>	<b>Page</b>	<b>Subjects (major changes since last revision)</b>	<b>Date</b>
1.0			2004/09/07
1.1		Add collimator-15 lens and coherent lens	2005/02/16
1.2	All	Modify part No.	2005/03/07
1.3	2,3,4,5	Add clear and white housing of 15 and 25 collimator	2005/06/30