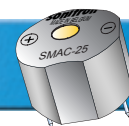
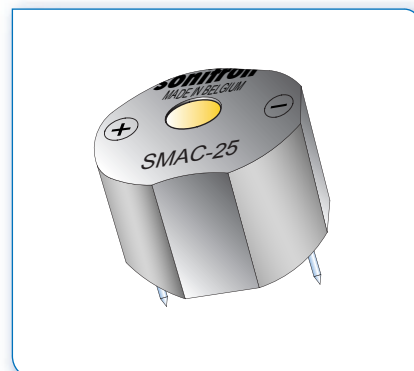


SMAC-25 Datasheet



Piezo acoustic components are more and more used in small portable equipment and as a critical alerting device. Reliability must be very high in the most difficult environmental circumstances, such as extreme and varying temperatures, vibrations, shocks, dust conditions, humid environment etc. The SMAC-25 buzzer, manufactured with over 30 years of experience in the field of piezo acoustic technology, is a very stable buzzer with a lifetime of more than 1000 hours in continuous use. In these small dimensions, the SMAC-25 is actually the best available piezo alarm for life supporting systems.



CHARACTERISTICS APPLICATIONS

- Electronics included
- Rounded octagonal shape – new design !
- PCB mounting, (pin version)
- Shock, dust & waterproof (IP67)
- Produces a highly reliable, clear and penetrating sound
- Light but solid construction
- Low power consumption
- Easily mountable
- Low cost compared to quality



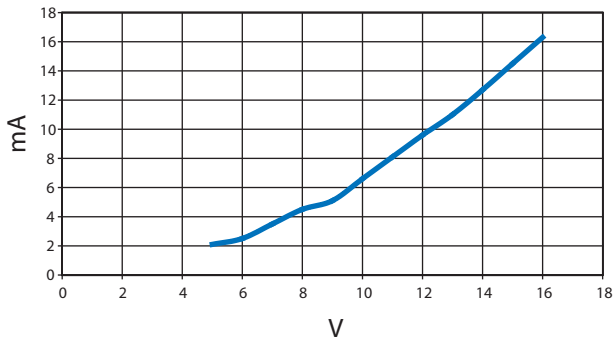
- Acoustic alarms
- Monitoring and test equipment
- Trucks & automobiles
- Boats & airplanes
- Signalization & process control equipment
- Fire detectors
- Battery powered handheld devices
- Gas detectors
- Life support systems
- Control instrumentation and systems
- Intensive care systems

SPECIFICATIONS

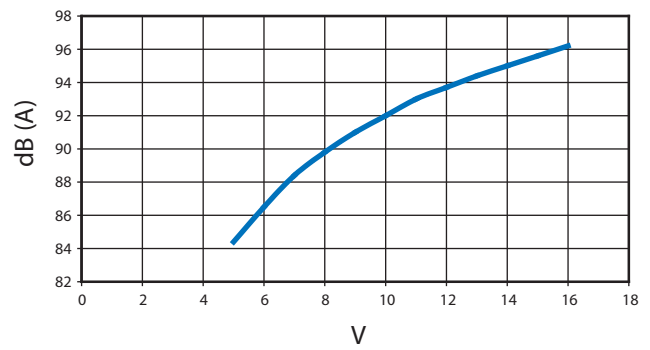
Operating voltage:	5/16Vdc
Operating current:	9.7mA @ 12Vdc
Frequency:	3.35kHz ±15%
Sound pressure level:	93.5 dB (A) @12Vdc @ 30 cm
Tone:	continuous
Life time:	>1000 hours @ 21°C @15Vdc (free air) mounted on print
Terminals:	pins (tinned brass)
Operating temperature:	-20°C to +70°C
Storage temperature:	-40°C to +85 °C
Case material:	PBT (UL rating: 94 HB)
Case color:	grey
Weight:	7.8 g

ELECTRICAL PARAMETERS

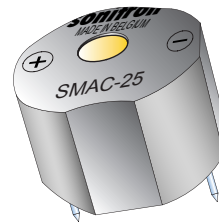
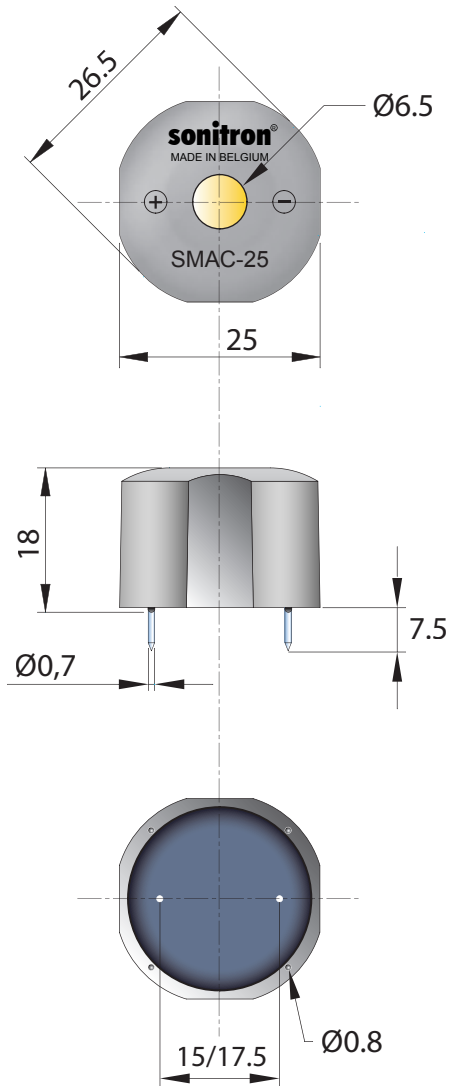
Current consumption vs. operating voltage



Sound pressure level vs. operating voltage



DIMENSIONS



Pin material: tinned brass
Case material: grey PBT

All dimensions are in mm
Tolerance: +/-0.2 mm

PRODUCT CODIFICATION

SMAC	-	25	P
Sonitron Multi Application Cup		Square diameter (mm)	P15: pin distance 15 mm P17.5: pin distance 17.5 mm

LIST OF AVAILABLE PRODUCT TYPES

SMAC-25-P15
SMAC-25-P17.5

MODELS ON REQUEST

The SMAC series is available, on special request, with the following protection:

- **Wash tabs**

A wash tab is glued on the sound-emitting hole of the buzzer avoiding water penetration into the cavity.

To order this option: add WASH TAB to the model number of the SMAC series.

- **Acryl coating**

Models containing a protective acryl coated membrane are recommended for aggressive, humid or smoggy environment.

To order this option: add MC to the model number of the SMAC series.